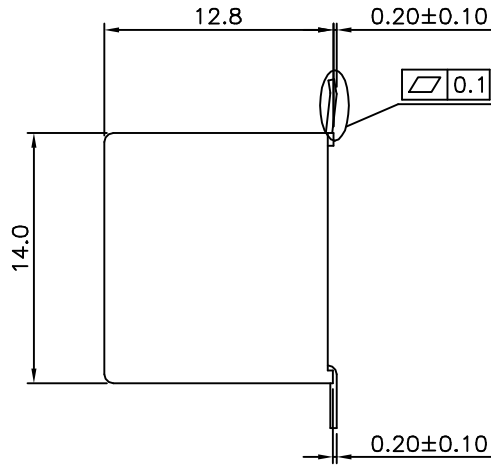
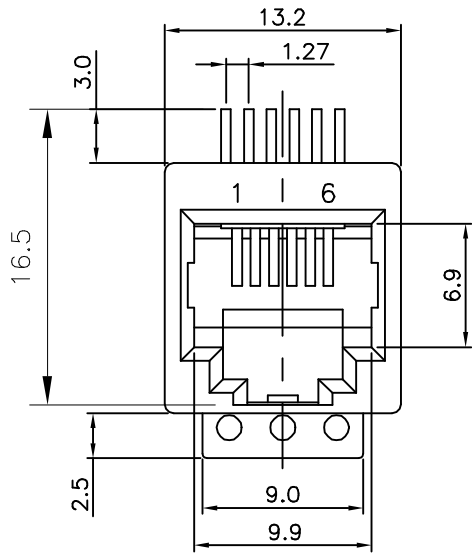


* RoHS COMPLIANT *

| * REVISIONS | | | | |
|-------------|-------------|------|---------|----------|
| LTR | DESCRIPTION | DATE | REVISED | APPROVED |
| | | | | |



NOTES:

ELECTRICAL:

- VOLTAGE RATING : 125 VAC RMS.
- CURRENT RATING : 1.5 AMP.
- CONTACT RESISTANCE : 30 MILLIOHMS MAX.
- INSULATION RESISTANCE: 1000 MEGOHMS MIN @ 500 VDC.
- DIELECTRIC STRENGTH : 1000 VDC RMS 60Hz, 1MIN.

MECHANICAL:

- HOUSING MATERIAL : PA10T UL94V-0.
- CONTACT MATERIAL : PHOSPHOR BRONZE t=0.35mm.
- PLATING : GOLD PLATING OVER NICKEL.
- OPERATING LIFE : 750 CYCLES MIN.
- PCB RETENTION POST-SOLDER: 10 LBS MIN.

ENVIRONMENTAL:

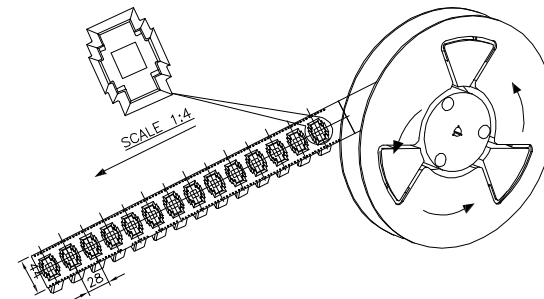
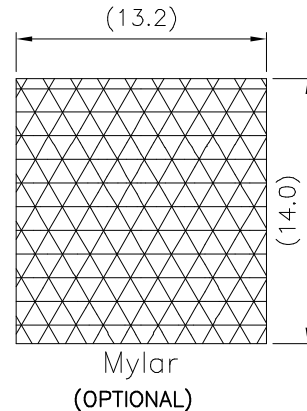
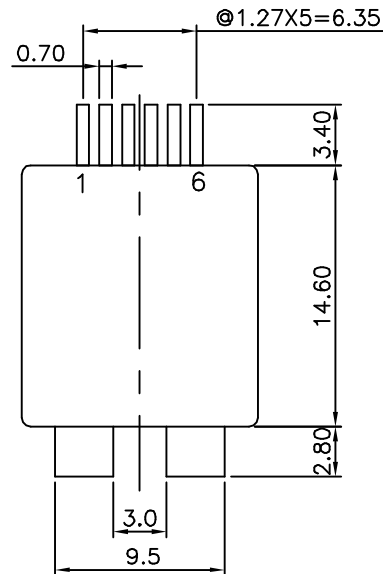
- STORAGE : -40°C TO +85°C.
- OPERATION: -40°C TO +85°C.
- WAVE SOLDERING TEMPERATURE: 250°C~260°C (5~10 SECONDS).
- RoHS COMPLIANT.

MATES WITH MODULAR PLUG CONFORMING TO FCC PART 68, SUBPART F.

JCR-24W15-01-2S03S12

03-W/ Mylay LCP BLACK

2- 6u"



PCB LAYOUT (COMPONENT SIDE VIEW)

UNLESS OTHERWISE SPECIFIED, TOLERANCE ON DECIMAL: ±0.3

| | | | | | | |
|----------------------------|------|------|------------|----------------------|----------|-------------------------------------|
| DWN | LILY | DATE | 2024.04.12 | 3RD ANGLE PROJECTION | NAME | TOP ENTRY GANG JACK SMT (13.2x14.0) |
| CHKD | ANDY | DATE | 2024.04.12 | | CAT. NO. | JCR-24W15-01-2S03S12 |
| APVD | JON | DATE | 2024.04.12 | UNIT: mm | DWN.NO. | EX-24W15-01-2S03S12 |
| JKCR Electronics Co., Ltd. | | | | | | 001 |